

Laboratory Glassware, Instruments & Accessories





DRIFTON A/S is pleased to introduce the CATALOGUE of lab essentials from GLASSCO.

The catalogue is carefully designed taking into consideration some of the fast moving products that are lab essentials and have a regular demand. You can also download the complete range of GLASSCO products from the big catalogue that is available on our website.

GLASSCO have introduced a lot of new products in glass with ASTM STANDARDS and is the only company in the world now offering DIN EN ISO and ASTM standard products from one production facility.

GLASSCO is proud to say they are the first company in the world to have put a QR code on the volumetric flasks which helps you in scanning all the information of the product. They are offering QR CODED labelled products from which you can scan and download all the certificates.

Producing high quality lab ware according to international standard and excellent customer service has helped GLASSCO to achieve brand recognition worldwide in more than 80 countries. They are committed in providing high quality lab ware products to their customers through strict quality control and timely deliveries.

Drifton A/S has introduced a wide range of GLASSCO laboratory equipment and glassware on the webshop and most of the products on the webshop are in stock ready to be shipped out.

See the selection on the Drifton webshop here:

www.drifton.dk | www.drifton.eu | www.de.drifton.eu | www.drifton.es

Contact Information:

Drifton A/S
Avedøreholmen 84
DK-2650 Hvidovre
Denmark

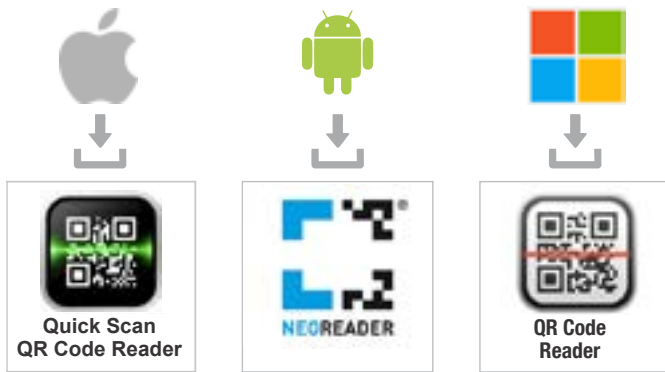
Mail: info@drifton.dk

Tel: +45 3679 0000

Index

QR code	3
Beakers	4
Bottles	5
Burettes	6 - 7
Cylinders	8
Dishes	9
Filtration	10 - 11
Flasks	12 - 15
Flasks, Volumetric	16 - 17
Funnels	18 - 19
Stoppers	20
Metalware	21
Instruments	22 - 30
Liquid Handling	31 - 32
Pipettes	33 - 35
Tubes	36 - 39

Volumetric Glassware with QR-code



Glassco has recently launched its QR coded volumetric flasks both in ASTM, ISO and ASTM standards. This is available in individual certified volumetric flasks and batch certified volumetric flasks. All the volumetric flasks are made from ASTM E 438 TYPE 1 CLASS A BORO 3.3 GLASS which is chemically inert and thermal shock resistant. All Volumetric wares are calibrated exceeding the demands of applicable standards. As all the manufacturers worldwide normally include the batch / individual certificate in the pack and many a times it is lost while using the glassware, the only option left to you is to either contact the manufacture or to make a grinding effort to go on the manufacturers website locate the applicable link and download the certificate. To make it most convenient for you, now with the GLASSCO QR coded volumetric flasks all you have to do is to scan the QR CODE from your mobiles with QR code scanner (NeoReader) and it will not only give you certificate of calibration (individual /batch) but will also give you information of certificate of compliance and the products user manual.



GET **Scan volumetric flask**
Please download Neo Reader Scanner and scan your Volumetric flask with your smart phone

SET **Select certificate individual/batch Conformity or user manual**
Website will open with choice of batch or individual certificate and please type Serial No. from Flask

GO **Print or save your certificate**
Your certificate is now ready to be saved or printed at the time of your audit, before audit or after audit.

Available at your Fingertips!

Beakers



Beaker with Spout, Low Form

- Complies with DIN 12331 and ISO 3819
- Manufactured from TYPE 1 CLASS A BORO 3.3 glass
- Large white marking area for use with an ordinary pencil
- Uniform wall thickness and ideal for heating liquids
- Excellent thermal performance
- Clear white metric graduation for convenience
- Highly resistant to chemical attack

Item Code	Capacity (ml)	Dia (mm)	Height (mm)	Pack of
229.202.02	10	26	35	10
229.202.03	25	34	51	10
229.202.04	50	42	58	10
229.202.05	100	50	70	10
229.202.06	150	60	88	10
229.202.07	250	70	95	10
229.202.08	400	80	110	10
229.202.09	600	90	125	8
229.202.10	1,000	105	157	6
229.202.11	2,000	132	185	4
229.202.13	3,000	152	210	1
229.202.14	5,000	170	270	1
229.202.15	10,000	220	350	1

Bottles

Reagent Bottles with Screw Neck, Clear

- Complies with DIN ISO 4796
- Autoclavable PE screw cap and pouring ring
- Printed with retrace code
- Specially designed PE pouring rings for drip-free operations
- Clear scale graduation and large marking area
- These complete bottles are autoclavable and can be sterilized
- These bottles are highly mechanically durable and chemical resistant

Item Code	Capacity (ml)	Dia (mm)	Height (mm)	Pack of
274.202.01	100	56	100	10
274.202.02	250	70	138	10
274.202.03	500	86	176	10
274.202.04	1,000	101	225	10
274.202.05	2,000	136	260	10
274.202.07	5,000	181	330	1
274.202.08	10,000	227	410	1
274.202.09	20,000	288	505	1



Reagent Bottles with Screw Cap, Amber

- Complies with DIN ISO 4796
- Autoclavable PE screw cap and pouring ring
- Printed with a retrace code
- Specially designed PE pouring rings for drip-free operations
- Clear scale graduation and large marking area
- These complete bottles are autoclavable and can be sterilized
- These bottles are highly mechanically durable and chemical resistant
- The uniform Amber colour is highly durable and chemical resistant
- These bottles are ideal for long term storage of light sensitive media and substance

Item Code	Capacity (ml)	Dia (mm)	Height (mm)	Pack of
275.202.01	100	56	100	10
275.202.02	250	70	138	10
275.202.03	500	86	176	10
275.202.04	1,000	101	225	10
275.202.05	2,000	136	260	10



Burettes



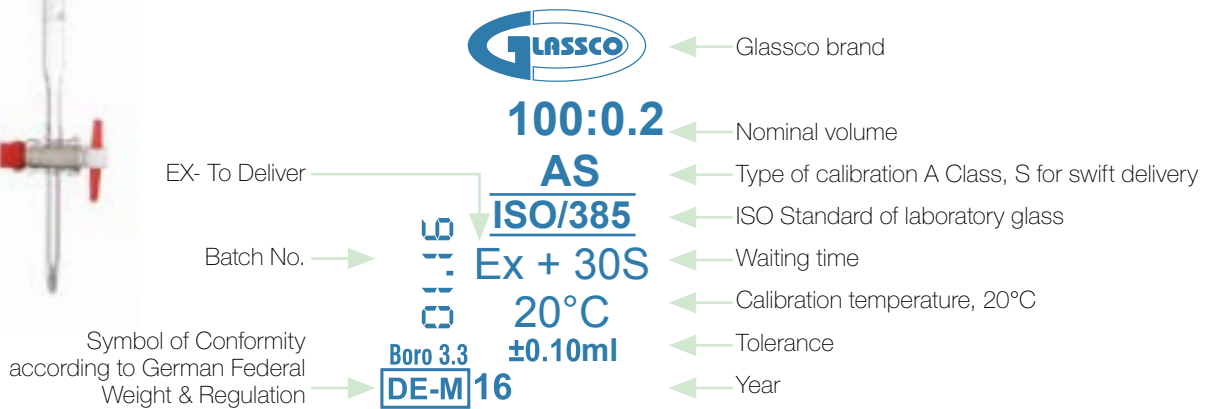
Burettes

Glassco burettes are manufactured from ASTM E438, Class A, T YPE 1 BORO 3.3 heat resistant glass which meet DIN ISO 385 and USP standards.

- Calibrated to deliver (TD, EX) 20 °C
- Manufactured from precision bore tubing for accuracy
- With Schell batch tubes for accurate reading of meniscus
- Calibrated on computer controlled machines
- Rechecked on the quality control centre for highest accuracy
- Class AS come with conformity batch certificate and is available with individual work certificate upon request
- Printed in blue colour, waiting time of 30 seconds

Download your certificate now : www.glasscolabs.com

Upon request: The burettes are available with 4 different kind of stopcocks: glass stopcock, PTFE needle valve stopcock, PTFE key stopcock and detachable stopcock.



Burettes

Burettes with PTFE key stopcock clear glass, Class AS

- With batch certificate
- Compliance with DIN ISO 385 and USP standards
- Printed in blue colour

Item Code	Cap. (ml)	Division	Tolerance (±ml)	Pack of
115.202.01	10	0.05	0.03	1
115.202.02	25	0.1	0.05	1
115.202.03	50	0.1	0.05	1



Burette Clamp (Fisher Style)

- Single and double burette clamps are available
- Moulded in Polypropylene making it completely corrosion proof
- The spring loaded jack in the middle provides a vice like grip to the burette and prevents it from slipping
- Two tapered wedges are provided to ensure firm grip
- Graduations and meniscus are visible at all times
- The clamp will fit any rod with diameter from 9.6 to 12.7 mm

Item Code	Type	Pack of
112.303.01	Fisher Clamp - Single	12
112.303.02	Fisher Clamp - Double	6



Cylinders

GLASSCO measuring cylinders are made from ASTM E438, TYPE 1, CLASS A BORO 3.3 glass that meet ISO 4788 standard.

The calibration is done on automatic computer controlled machines and are calibrated to contain (TC, In) according to the ISO and ASTM tolerance standards. All ISO cylinders come with **DE-M** Mark printed on it.

Measuring Cylinder with Hexagonal Base, Class A

- Certificate as per DIN EN ISO 4788
- With conformity batch certificate

Item Code	Capacity (ml)	Sub division (ml)	Tolerance (\pm ml)	Pack of
139.202.01A	10	0.2	0.10	2
139.202.02A	25	0.5	0.25	2
139.202.03A	50	1.0	0.50	2
139.202.04A	100	1.0	0.50	2
139.202.05A	250	2.0	1.00	2
139.202.06A	500	5.0	2.50	2
139.202.07A	1,000	10.0	5.00	1
139.202.08A	2,000	20.0	10.00	1



Mixing Cylinder with Hexagonal Base, Class A

- Complies as per DIN EN ISO 4788 standards
- With batch conformity certificate
- With PE stopper

Item Code	Capacity (ml)	N/S	Sub division (ml)	Tolerance (\pm ml)	Pack of
142.202.01A	10	10/19	0.2	0.10	2
142.202.02A	25	14/23	0.5	0.25	2
142.202.03A	50	19/26	1.0	0.50	2
142.202.04A	100	24/29	1.0	0.50	2
142.202.05A	250	29/32	2.0	1.00	2
142.202.06A	500	34/35	5.0	2.50	2
142.202.07A	1,000	45/40	10.0	5.00	1
142.202.08A	2,000	45/40	20.0	10.00	1



Dishes

Petri Dish, BORO 3.3 Glass

- Withstand repeated autoclaving
- Manufactured from ASTM E438, TYPE 1, CLASS A BORO 3.3 glass

Item Code	O.D. x Height (mm)	Pack of
248.202.01	50 x 17	10
248.202.02	80 x 17	10
248.202.03	100 x 17	10
248.202.04	150 x 20	10
248.202.05	200 x 20	10



Petri Dish, PP

- Clear, unbreakable and autoclavable
- Made from polypropylene

Item Code	Size (mm)	Pack of
124.303.01	50	36
124.303.02	75	36
124.303.03	100	36
124.303.04	125	12
124.303.05	150	12



Filtration

Glass Filter Holder For 47 mm Disc Filters

Specifications

Materials of Construction : Borosilicate glass funnel and base; anodized aluminum spring clamp; silicone stopper

260.202.01 : Coarse-frit glass filter support

Filter Diameter, mm : 47

Filtration Area, cm² : 9.6

Funnel Capacity, mL : 300

Prefilter Diameter, mm : 35 (thick depth prefilter) or 47 (membrane prefilter)

Outlet Fitting : No. 8 perforated silicone stopper mounts in standard 1 L and 4 L filtering flasks

Dimensions

Height, cm : 22.9

Diameter, cm : 7.6

Sterilization Method : 30 UV sterilize or autoclave without filter in-place

Applications

Use 260.202.01 for bacteriological analysis of water (using 47 mm sterile membrane filters)

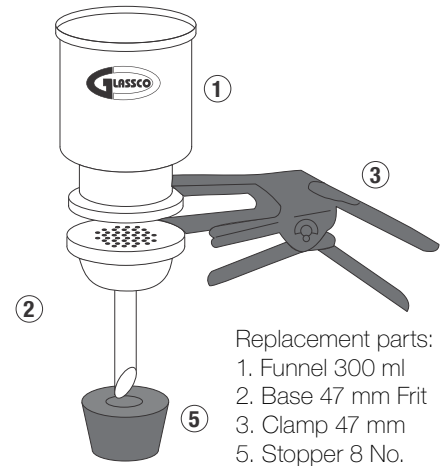
Analysis of suspended solids in water (using 47 mm depth filters)

Ordering Information

Cat No.	Description
260.202.01	Glass filter holder assembly with funnel, fritted base, stopper, clamp 47 mm

Replacement Parts

Cat No.	Description
258.245.01	Glass funnel, 300 ml, borosilicate
260.245.02	Base for 47 mm glass/filter holder
258.245.02	Spring clamp, 47 mm, aluminum
260.245.05	No. 8 perforated stopper, silicone



Filter holder with glass filter support, 260.202.01

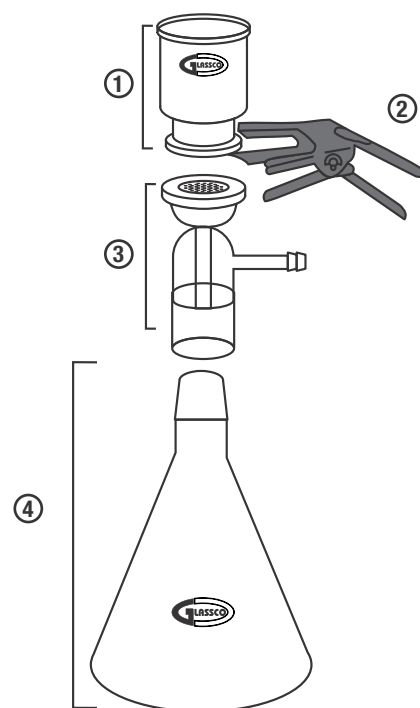


Filtration

All-Glass Filter Holder For 47 mm Disc Filters

Specifications

Materials 258.202.01	: Borosilicate glass funnel, base and tubulated cap; anodized aluminum spring clamp; fritted glass filter support
Filter Diameter, mm	: 47
Filtration Area, cm ²	: 9.6
Funnel Capacity, ml	: Funnel: 300 ml; Flask: 1 L
Outlet Fitting	: 6 mm (1/4 in.) O.D. tubulated cap sidearm to vacuum



Ordering Information

Cat No.	Description
258.202.01	All-Glass filter holder assembly with funnel, fritted-base and cap, clamp 47 mm, ground joint flask 1 L

Replacement Parts

Cat No.	Description
258.245.01	Glass funnel, 300 ml, borosilicate
258.245.02	Spring clamp, 47 mm, aluminum
258.245.03	Glass base and cap, 47 mm
258.245.04	Ground joint flask, 1000 ml



Flasks



Conical (Erlenmeyer) Flasks with Narrow Mouth

- Made from ASTM E438 Type 1, BORO 3.3 heat resistant glass
- Complies with ISO 1773
- All the flasks are printed in white enamel
- Has reinforced thick rim to reduce chipping and breakage

Item Code	Capacity (ml)	D. (mm)	D1 (mm)	H. (mm)	Pack of
231.202.01	25	42	22	75	10
231.202.02	50	51	22	90	10
231.202.03	100	64	22	105	10
231.202.04	250	85	34	145	10
231.202.05	500	105	34	180	10
231.202.06	1,000	131	42	220	10
231.202.07	2,000	166	50	280	6
231.202.08	3,000	187	50	310	1
231.202.09	5,000	220	50	365	1



Conical Flasks with Joint

- Complies with ISO 4797
- Ideal for mixing liquids

Item Code	Capacity (ml)	Socket Size	Overall Height	Overall Dia (mm)	Pack of
071.202.06	25	14/23	70	42	10
071.202.08	50	14/23	85	51	10
071.202.10A	50	29/32	85	51	10
071.202.11	100	14/23	100	64	10
071.202.14	100	29/32	100	64	10
071.202.20	250	29/32	140	85	10
071.202.23	500	29/32	175	105	10
071.202.26	1,000	29/32	220	131	10
071.202.28	2,000	29/32	270	166	6
071.202.31*	5,000	45/40	365	220	1

* Non Din

Flasks

Filter Flasks

- Complies with ISO 6556
- With glass connector
- Made from heavy wall which can withstand high vacuum
- Printed in white colour enamel without graduation

Item Code	Capacity (ml)	Pack of
074.202.01	100	2
074.202.02	250	2
074.202.03	500	2
074.202.04	1,000	2
074.202.05	2,000	1
074.202.08	5,000	1



Erlenmeyer Flasks with Screw Cap

- Made from ASTM E438 Type 1, BORO 3.3 heat resistant glass
- The screw cap is made from Polyethylene which is autoclavable
- Comes with PTFE liner

Item Code	Capacity (ml)	Thread Size	Dia (mm)	Pack of
075.202.01	50	25	51	2
075.202.02	100	25	64	2
075.202.04	250	32	85	2
075.202.05	500	32	105	2
075.202.06	1,000	32	131	2



Flasks

Flat Bottom Flasks with Narrow Neck

- Made from ASTM E438 Type 1, BORO 3.3 heat resistant glass
- With beaded rim
- Complies with DIN ISO 1773

Item Code	Capacity (ml)	D. (mm)	D1 (mm)	H. (mm)	Pack of
235.202.01	50	51	26	90	10
235.202.02	100	64	26	105	10
235.202.03	250	85	34	138	10
235.202.04	500	105	34	163	10
235.202.05	1,000	131	42	190	10
235.202.06	2,000	166	50	230	6
235.202.07*	3,000	185	50	250	1
235.202.08*	5,000	233	50	290	1
235.202.09	10,000	280	65	360	1

* Non DIN



Flat Bottom Flasks with Joint

- Complies with DIN ISO 4797 and USP standard

Item Code	Capacity (ml)	Socket Size	Approx. Overall Height (mm)	Dia (mm)	Pack of
058.202.02A	50	29/32	85	51	10
058.202.05 *	100	29/32	103	64	10
058.202.13	250	29/32	130	85	10
058.202.17	500	29/32	160	105	10
058.202.20	1,000	29/32	187	131	10
058.202.23	2,000	29/32	230	166	6

* Non DIN

PS: These flasks can also be provided in other joint sizes



Flasks

Round Bottom Flasks with Narrow Neck

- Made from ASTM E438 Type 1, BORO 3.3 heat resistant glass
- Complies with ISO 1773
- With beaded rim

Item Code	Capacity (ml)	D. (mm)	D1 (mm)	H. (mm)	Pack of
233.202.01	50	51	26	95	10
233.202.02	100	64	26	110	10
233.202.03	250	85	34	143	10
233.202.04	500	105	34	168	10
233.202.05	1,000	131	42	200	10
233.202.06	2,000	166	50	240	6
233.202.07*	3,000	185	50	260	1
233.202.08*	5,000	223	50	305	1
233.202.09	10,000	279	65	380	1

* Non DIN



Round Bottom Flasks, Single Neck with Joint

- Made from ASTM E438 Type 1, BORO 3.3 heat resistant glass
- Complies with DIN ISO 4797 and USP standard

Item Code	Capacity (ml)	Socket Size	Approx. Overall Height (mm)	Dia (mm)	Pack of
057.202.05	25	14/23	85	41	10
057.202.08	50	14/23	90	51	10
057.202.10A	50	29/32	90	51	10
057.202.11	100	14/23	105	64	10
057.202.14	100	29/32	105	64	10
057.202.23	250	29/32	140	85	10
057.202.27	500	29/32	163	105	10
057.202.31	1,000	29/32	200	131	10
057.202.34	2,000	29/32	240	165	6



Volumetric Flasks

QR Coded Volumetric Flasks with batch certificate. Individual work certificate can be offered on request. You don't need to bother about going online and getting your lost certificate. Just scan the QR Code and download all the certificates.

All flasks come with BLUE marking ring on clear flask and WHITE marking ring on AMBER flask for better visibility of meniscus.

Volumetric Flask, Class A

- Compliance with DIN ISO 1042 standards
- With batch certificate
- QR coded flask
- With PE stopper

Item Code	Capacity (ml)	N/S	Tolerance (+_ml)	Pack of
QR.130.202.02	10	10/19	0.040	1
QR.130.202.03	25	10/19	0.040	1
QR.130.202.04	50	12/21	0.060	1
QR.130.202.05	100	14/23	0.100	1
QR.130.202.06	200	14/23	0.150	1
QR.130.202.07	250	14/23	0.150	1
QR.130.202.08	500	19/26	0.250	1

Volumetric Flasks, Class A

- Compliance with DIN ISO 1042 standards
- With batch certificate
- With PE stopper

Item Code	Capacity (ml)	N/S	Tolerance (+_ml)	Pack of
130.202.01	5	10/19	0.040	2
130.202.02	10	10/19	0.040	2
130.202.02A	20	10/19	0.040	2
130.202.03	25	10/19	0.040	2
130.202.04	50	12/21	0.060	2
130.202.04B	50	14/23	0.100	2
130.202.05B	100	12/21	0.100	2
130.202.05	100	14/23	0.100	2
130.202.06	200	14/23	0.150	2
130.202.07	250	14/23	0.150	2
130.202.08	500	19/26	0.250	2
130.202.09	1,000	24/29	0.400	2
130.202.10	2,000	29/32	0.600	1
130.202.11	5,000	34/35	1.200	1



Volumetric Flasks

Volumetric Flasks, Amber, Class A

- Compliance with ISO 1042 standards
- With batch certificate
- With PE stopper

Item Code	Capacity (ml)	N/S	Tolerance (+_ml)	Pack of
130.202.01A	5	10/19	0.040	2
130.202.02AB	10	10/19	0.040	2
130.202.03A	20	10/19	0.040	2
130.202.04A	25	10/19	0.040	2
130.202.05A	50	12/21	0.060	2
130.202.05AB	50	14/23	0.100	2
130.202.06AB	100	12/21	0.100	2
130.202.06A	100	14/23	0.100	2
130.202.07A	200	14/23	0.150	2
130.202.08A	250	14/23	0.150	2
130.202.09A	500	19/26	0.250	2
130.202.10A	1,000	24/29	0.400	2
130.202.11A	2,000	29/32	0.600	1



Funnels

Separating and Dropping Funnels are produced from ASTM E438 TYPE 1 CLASS A BORO 3.3 heat resistant glass. These funnels are manufactured as per DIN ISO 4800 standard. The printing is done in white colour.

Separating Funnel, Squibb shape

- Compliance with ISO 4800 standards
- Without graduation
- With PE stopper
- With PTFE stopcock

Item Code	Capacity (ml)	N/S	Bore (mm)	Stopcock Type	Pack of
149.202.02	50	19/26	2.5	PTFE	1
149.202.03	100	19/26	2.5	PTFE	1
149.202.04	250	29/32	4	PTFE	1
149.202.05	500	29/32	4	PTFE	1
149.202.06	1,000	29/32	6	PTFE	1
149.202.07	2,000	29/32	6	PTFE	1



Dropping Funnel, Cylindrical

- Made from DIN ISO 3585, BORO 3.3 glass
- With PE stopper
- Complies with ISO 4800 standards
- With PTFE stopcock
- With white graduation marks

Item Code	Capacity (ml)	N/S	Bore (mm)	Stopcock Type	Pack of
158.203.02	50	14/23	2.5	PTFE	1
158.204.02	50	29/32	2.5	PTFE	1
158.203.03	100	14/23	2.5	PTFE	1
158.204.03	100	29/32	2.5	PTFE	1
158.202.04	250	29/32	4	PTFE	1
158.202.05	500	29/32	4	PTFE	1
158.202.06	1,000	29/32	6	PTFE	1



Funnels

Funnels

- Made from ASTM E438 TYPE 1 CLASS A BORO 3.3 glass
- Compliance with DIN ISO 4798 and USP standards

Item Code	Diameter (mm)	Pack of
238.202.05*	50	10
238.202.07*	65	10
238.202.09	75	10
238.202.11	100	10
238.202.12	125	10
238.202.13	150	10

* Non DIN



Separatory Funnel Holder

- Made of Polypropylene
- Non-corrosive front opening provides a clear view of the solution and allows unobstructed placement of the separating funnels
- Two tapered wedges ensures a firm grip on rods having diameter of 12 or 15 mm

Item Code	Type	Pack of
114.303.01-2	Separator funnel holder	2



Stoppers

Hollow Stoppers with Tip

- In compliance with DIN 12252 standard
- Used on different kind of jointed products like bottles, stoppered cylinders and jointed flasks mainly volumetric flasks
- If placed on the hexagonal head end you avoid contamination of ground surface
The hexagonal form of the head helps in preventing the rolling of the stopper and provides a good grip
- The stoppers have drip tip form which if placed on the flask helps liquid to return to the flask till the last drop

Item Code	N/S	Bottom Type	Pack of
011.205.01	10/19	Tip	10
011.205.02	12/21	Tip	10
011.205.03	14/23	Tip	10
011.205.04	19/26	Tip	10
011.205.05	24/29	Tip	10
011.205.06	29/32	Tip	10
011.205.07	34/35	Tip	10



DIN

12252

GLASS
BORO
3.3

Chemical
Resistant

WHITE
PRINTING

Metalware

Retort Stand

- Complies with DIN 12892
- Stand material: cast iron, black painted
- Rod material: mild steel, chrome plated with L-Key

Item Code	Stand Size (mm)	Rod Size mm (Length x dia)	Pack of
310.303.04	200 x 125	600 x 12	2
310.303.07	250 x 200	750 x 12	2
310.303.08	300 x 175	900 x 12	2



MS L-KEY BLACK PAINT

Retort Clamp

- 3 prong clamp to hold up to 75 mm
- Spring tube, double keys
- Rod with dia 7.5 mm and length 235 mm
- Material: zinc alloy, pressure die casted, chrome coated
- Freely swivel, boss head lockable at 360° for 14 mm grip

Item Code	Type	Pack of
390.303.04	Silicone sleeve with boss head	2



AI DIECASTED MS ROD White Powder Coated 3 PRONG WITH BOSSHEAD SiO₂ SLEEVED ZINC ALLOY

Instruments

Magnetic Stirrer with Hotplate - Analog Ceramic Coated Stainless Steel Top

- Aluminium moulded construction
- Easy temperature and stir controls
- Installed with safety PT Sensor for fail safe operation
- Hot top indicator for temperatures above 50 °C
- Large top plate to assist beakers up to 2000 ml.
- High magnetic strength
- Electronic variable speed control with knob for display
- Knob for regulating variable temperature
- Heat reach Indicator, to ensure you correct temperature of plate surface
- Stirring and temperature indicator
- Error indicators for heat and stir function
- Hot top warning indicator for temperature > 50°C

Item Code	Volt	Hz	Watts	Top Plate
710.AG.01	230	50	650	SS ceramic coated

Included Accessories:

Item Code	Accessories
850.800.02	Magnetic stirring bar 35 mm x 9 mm

Technical Specifications

Heating mantle material	: Ceramic coated stainless steel 304
Dimension of heating plate	: 150 mm Ø
Speed range	: 50 - 1600 RPM
Maximum stirring bar length	: Can use up to 80 mm bar (at lower speed)
Temperature range	: Ambient to 350 °C approx
Dimensions of hot plate body	: 273 x 160 x 102 mm
Weight of body	: 2.8 kg
Permissible ambient temperature	: 5 - 40 °C
Permissible relative moisture	: 80 %
IP Class	: 22



Temp Control	RPM	Plate Size	Vessel Capacity	Plate Material
Variable up to 350 °C	1600 RPM	150 mm Ø	up to 2L Beakers	SS 304 Grade

Instruments

Magnetic Stirrer with Hotplate - Digital Ceramic Coated Stainless Steel Top

- Aluminium moulded construction
- Ceramic coated top plate, chemically and scratch resistant
- Large top plate to assist beakers up to 2000 ml.
- Thermal insulation for cool body operation
- Digital set up temperature controller with independent LED display
- Settable safety cut-off for maximum temperature limit for top plate or probe
- Installed with double PT sensors for safety and fail safe operating mechanism
- Hot top indicator for temperature above 50 °C even when switched off
- Inclusive PT100 temperature sensors probe
- Audible alarm at time cycle end for safety and ease of unsupervised operation
- Digital setup of time with independent LED display
- Digital setup of RPM with independent LED display
- Selection of celsius and fahrenheit
- Selection of hot plate and probe temperature control
- Error code display at any kind of failure
- Count-up indication of minutes and hours
- Single multi-turn intelligent knob operation
- Even heat distribution
- High magnetic strength

Item Code	Volt	Hz	Watts	Top Plate
900.DG.01	230	50	650	SS ceramic coated

Item Code	Included Accessories
850.800.01	Stainless steel rod, length 400 mm, Ø 12 mm
850.800.02	Magnetic stirring bar 35 mm x 9 mm
850.800.03	Moulded PT 100 sensor probe
850.800.04	Boss head

Technical Specifications

Heating plate material	: Ceramic coated stainless steel
Dimension of heating plate	: Ø 150 mm
Three display windows for	: Temperature, RPM and Time
Speed range	: 50 - 1500 RPM
Maximum stirring bar length	: Can use up to 80 mm bar (at lower speed)
Temperature range	: Ambient to 350 °C
Adjustable safety cut off	: 50 - 400 °C
Control accuracy of PT100	: ± 1k
Dimensions of hot plate body	: 273 x 160 x 102 mm
Weight of body	: 3.3 kg
Permissible ambient temperature	: 5 - 40 °C
Permissible relative moisture	: 80 %
RS232 interface	: Yes (For Programming)
IP Class	: 22

Temp Control	RPM	Plate Size	Vessel Capacity	Plate Material
Variable up to 350°C	50 - 1500 RPM	150 mm Ø	up to 2 L Beakers	SS 304



900.DG

Instruments

Magnetic Stirrer with Hotplate Glass Ceramic Top CeraClick-System™

- Aluminium moulded construction
- Highly scratch and chemical resistant top plate
- Even heat distribution on top plate surface
- Thermal insulation for cool body operation
- Digital set up temperature controller with independent LED display
- Independent LED display for RPM and temperature
- PT100 temperature sensor probe
- Installed with double PT sensors for safety and fail safe operating mechanism
- Hot top indicator for temperatures above 50 °C even when switched off
- Large top plate to assist beaker up to 5000 ml.
- Selection of Celsius and Fahrenheit
- Selection of hot plate and probe temperature
- Error code display at any kind of failure
- High magnetic strength
- Single multi-turn intelligent knob operation
- User settable high temperature cut off and hard wired cut off
- DIN connector for external temperature probe

Item Code	Volt	Hz	Watts
500.AG.01	230	50	1300

Item Code	Included Accessories
550.500.01	Stainless steel rod length 500 mm, Ø 12 mm
550.500.02	Magnetic stirring bar 25 mm x 8.25 mm
550.500.03	PT100 sensor probe
550.500.04	Clamp with boss head

Technical Specifications

Heating plate material	: White glass ceramic square plate
Dimension of heating plate	: 175 mm x 175 mm
Two display windows for	: Temperature and RPM
Speed range	: Up to 2000 RPM
Heat output	: 1300 W
Temperature range	: Ambient to 550 °C
Adjustable safety cut off	: Up to 580 °C
Control accuracy of sensor	: ± 1k
Weight of body	: 5.8 kg
Permissible ambient temperature	: 5 - 40 °C
Permissible relative moisture	: 80 %
USB Port	: Yes (for programming)
Frequency	: 50 Hz
Voltage	: 230 Volts
Dimensions of hot plate body	: 378 x 220 x 103 mm
IP Class	: 21



Extra Accessories

Item Code	Accessories
550.500.05	Glass ceramic top plate
550.500.06	Knobs

Temp Control	RPM	Plate Size	Vessel Capacity	Plate Material
up to 550°C	up to 2000 RPM	175 x 175 mm	up to 5 L beakers	Glass ceramic white square plate

Instruments

Magnetic Stirring Bar

- Magnetic stirring bar for magnetic stirrers 900.DG.01 and 710.AG.01

Item Code	Type	Size
850.800.02	Magnetic stirring bar	8 mm x 35 mm



Instruments

Heating Mantle

- Aluminium Construction
- Variable knob for stir speed control with on/off
- Mantle knitted with glass fibre yarn
- Provides uniform heating to flasks
- For round bottom flasks as per DIN 12347
- Inbuilt protection from liquid spill
- Long life
- Easy maintenance

Item Code (230VAC, 50Hz)	Capacity (ml)	Watts	Dimension (mm)
1000.EU.02	100	150	180 x 175
1000.EU.03	250	150	190 x 175
1000.EU.04	500	200	200 x 175
1000.EU.05	1,000	300	235 x 175

Technical Specifications

Heating mantle body	: Aluminium
Heating mantle material	: Glass fibre yarn
Mantle capacity	: To hold standard round bottom flasks up to 20 liters
Temperature range	: Approx. 400 °C
Heating control	: Electronic power regulator
Permissible ambient temperature	: 5 - 40 °C
Permissible relative moisture	: 80 %
IP Class	: 10



Temp	Mantle Capacity	Heating Mantle Material
up to 400 °C	50 ml - 20 l	Glass fibre yarn

Instruments

Heating Mantle With Stirrer

- Aluminium construction
- Variable knob for heat power control with on/off
- Variable knob for stir speed control with on/off
- Mantle knitted with glass fibre yarn
- Provides uniform heating to flasks
- For round bottom flasks as per DIN 12347
- Inbuilt protection from liquid spill
- Long life
- Easy maintenance

Item Code (230VAC, 50Hz)	Capacity (ml)	Watts	Dimension (mm)
1500.EU.01	100	170	180 x 195
1500.EU.02	250	170	180 x 195
1500.EU.03	500	220	200 x 190
1500.EU.04	1,000	320	235 x 220

Included Accessories

Item Code	Accessories
1500.150.02	Magnetic stirring bar 25 mm x 9 mm

Technical Specifications

Heating mantle body	: Aluminium
Heating mantle material	: Glass fibre yarn
Mantle capacity	: To hold standard round bottom flasks up to 5000 ml
Variable speed range	: Approx. up to 750 RPM
Temperature range	: Approx. 400 °C
Heating control	: Electronic power regulator
Speed control	: Electronic regulator
Permissible ambient temperature	: 5 - 40 °C
Permissible relative moisture	: 80 %
IP Class	: 10



Temp Control	RPM	Vessel Capacity	Plate Material
up to 4000 °C	up to 750 RPM	100 - 5000 ml	Glass fibre yarn

Instruments

Digital Overhead Stirrer

- Independent real time LED display for RPM and Torque
- User friendly
- Accurate display of actual and set value
- Brushless DC motor
- Protects from spillage
- Liquid cannot reach internal components due to front safeguard
- Adjustable torque for viscous sample
- Audible alarm for error conditions
- Effective stirring provides clock wise and anti clock wise stirring modes
- Prominent used in chemical synthesis, pharmaceuticals, physical and chemical analysis, petrochemical, cosmetics, health products, foods, biotechnology etc.

Item Code	Volt	Hz	Watt
6000.EU.01	230	50	130

Technical Specifications

Body material	: Aluminum & ABS
Display window	: RPM & Time
Speed range	: 50 - 2200 RPM
Speed control accuracy	: ± 3 RPM
Speed display accuracy	: ± 1 RPM
Max. viscosity	: 50000 mPas
Max. torque	: 60 NCM
Time range	: 30~999 min.
Max. stir capacity (H ₂ O)	: 40 L
Drill check dia range	: 0.5 ~ 10 mm
Dimension (WxDxH)	: 83 x 220 x 180 mm



Instruments

Roller Mixer

- Efficient rolling and swinging motion for mixing blood samples, liquid solid suspensions etc.
- Digital set-up for RPM and time with independent LED displays
- Maximum stirring speed up to 80 RPM
- Brushless DC motor
- Compatible for use with a wide range of test tubes
- Used for prevention of blood coagulation and immune precipitation etc.
- Seven rollers with small foot print and easy cleaning

Item Code	Volt	Hz	Watt
4000.EU.01	230	50	50

Technical Specifications

Mixer body material	: Plastic
Operation mode	: Rolling and swinging
Amplitude	: 24 mm
Roller quantity	: 7
Speed range	: 10 - 80 RPM
Speed unit	: 1 RPM
Roller length	: 280 mm
Motor	: Brushless DC motor
Dimension (DxWxH)	: 500 x 280 x 120 mm
Max. capacity	: 4 kg
Weight of body	: 6 kg
Voltage	: AC100 - 240 50-60 Hz
Power	: 50W



Instruments

Mini Centrifuge

- Patented high tech motor causes low working noise
- With advanced shock absorbers that deliver low vibration
- Compact design that can carry a higher volume of 2 ml x 8 places
- Easy replacement of rotor
- Maximum relative centrifugal force up to 3260 G
- Fast stopping in 15 seconds with cover breaking time of 3 seconds
- Spatial shape for 360° rotation. Low windage resistance with slow temperature increase
- Filtration and voltage regulation function makes the unit run smoothly and causes low rotation difference.

Item Code	Volts	Hz
5000.EU.01	230	50

Included Accessories for Rotor Selections

Item Code	Accessories
5000.303.01	2 ml x 8 rotor with 8 pcs. 0.5 ml and 0.2 ml adapters
5000.303.02	0.2 ml x 8 rotor for 8 x 0.2 ml tubes strip in 4 rows

Technical Specifications

Body material	: Main frame: ABS, cover: PC, adapter: PP, absorber: NBR, roller: ABS
Speed range	: 4000 - 7000 RPM
RCF	: 810 ~ 3260 x G
Rotor types	: Rotor with 2 ml x 8 and adapters for 0.2 ml and 0.5 ml, Rotor with 4 rows of 0.2 ml x 8 tube strips
Max. capacity	: 2 ml x 8
Dimension (WxDxH)	: 174 x 157 x 130 mm
Speed control type	: Constant speed
Driving speed	: Direct drive/vibration
Brake system	: Dynamic
Acceleration time	: 90% speed in 5 seconds
Deceleration time	: Cover closed within 15 seconds, cover open within 6 seconds



Liquid Handling

Micropipette, Single Channel

- Fully autoclavable and UV resistant
- "CE" mark awarded
- Click-stop system for digital volume setting
- Ergonomic design ensuring light weight and soft plunger movement
- Two step plunger operation allows "reverse pipetting technique"
- Calibration as per DIN 12650 and EN ISO 8655 standards
- High accuracy and precision guaranteed
- Individual serial No. permanently marked on each pipette
- Calibration report enclosed with every pipette
- Color coded for easy identification

Variable Volume Micropipette

Item Code	Volume Range (µl)	Variable Increment (µl)	Colour	Pack of
500.303.04	5 - 50	0.5	Red	1
500.303.05	10 - 100	0.5	Orange	1
500.303.07	20 - 200	1.0	Yellow	1
500.303.10	500 - 5,000	50.0	Black	1

Fixed Volume Micropipette

Item Code	Volume Range (µl)	Colour	Pack of
501.303.03	10	Orange	1
501.303.06	50	Red	1
501.303.11	1,000	Blue	1



Liquid Handling



Glassco Bottle Top Dispenser With Re-Circulation Valve

For accurate, safe and repeatable dispensing of many common laboratory liquids.

- Fully autoclavable at 121 °C, 15 psi for 10-15 minutes
- “CE” mark awarded
- Smooth and soft plunger for ease of working
- Highly robust and reliable dispensing technique
- It has re-circulation valve for re-directing the liquid into the bottle for bubble free dispensing without any loss of reagent
- Adjustable delivery nozzle to facilitate dispensing ease in all demanding laboratory conditions.
- 180° rotation for easy and effortless volume setting
- Specially designed adapter that allows 360° rotation, providing full flexibility in working
- Specially designed, springless, PTFE valve manifold ensures high chemical compatibility and jamming free valve function
- PTFE piston with ETP O-ring ensures very high chemical compatibility and wiper like smooth, effortless piston movement
- Adaptors to fit most laboratory reagent bottles are provided in the following sizes: 28, 30, 32, 36, 40 and 45 mm
- Calibration as per ISO 8655 standards

Specifications and Ordering Information

Model No.	Vol. Range	Increment	ISO 8655 Specifications				Glassco Specifications				Pack of
			Accuracy		CV		Accuracy		CV		
			± %	± ml	± %	± ml	± %	± ml	± %	± ml	
500.444.03	1 - 10 ml	0.2 ml	0.6	0.060	0.2	0.020	0.5	0.050	0.1	0.010	1
500.444.05	5 - 60 ml	1.0 ml	0.6	0.360	0.2	0.120	0.5	0.300	0.1	0.060	1
500.444.06	10 - 100 ml	2.0 ml	0.6	0.600	0.2	0.200	0.5	0.500	0.1	0.100	1

Pipettes

Graduated Pipettes

Type 1 (Mohr) and Type 3 (Serological)

- Type 1: These pipettes are for partial delivery having 0 point at top
 - Type 3: These pipettes are for complete delivery having 0 point at top
- All are manufactured to meet ISO 835 standards. These pipettes are calibrated to deliver (TD, EX) + 20 °C. All graduated pipettes are calibrated by automatic machines and the final quality check is done on the quality control centre
- The graduated pipettes come in AS class with conformity batch certificate and individual work certificate which is printed in amber colour which fuses into the glass. Each pipette is accompanied with a batch certificate in the pack
- You can also download the certificate at www.glasscolabs.com

Graduated Pipettes Type 3 (Serological), Class AS

- Compliance with ISO 835 standard
- With batch certificate

Item Code	Capacity (ml)	Sub Division	Tolerance (± ml)	Colour Code	Pack of
125.202.00	0.1	0.01	0.006	WHITE	5
125.202.00A	0.2	0.01	0.006	BLACK	5
125.202.01	1	0.01	0.007	YELLOW	5
125.202.02	2	0.02	0.010	BLACK	5
125.202.03	5	0.05	0.030	RED	5
125.202.04	10	0.10	0.050	ORANGE	5
125.202.06	25	0.10	0.100	WHITE	5



Graduated Pipettes Type 1 (Mohr), Class AS

- As per DIN ISO 835 standard
- With batch certificate

Item Code	Capacity (ml)	Sub Division	Tolerance (± ml)	Colour Code	Pack of
125.453.00	0.1	0.01	0.006	WHITE	5
125.453.00A	0.2	0.01	0.006	BLACK	5
125.453.00B	1	0.01	0.007	YELLOW	5
125.453.01A	2	0.02	0.010	BLACK	5
125.453.02A	5	0.05	0.030	RED	5
125.453.04	10	0.10	0.050	ORANGE	5
125.453.06	25	0.10	0.100	WHITE	5



Pipettes

Glassco volumetric pipettes are manufactured in compliance with DIN ISO 648 standards. These pipettes are calibrated to deliver (TD, EX) + 20 °C. All volumetric pipettes are calibrated by automatic machine and the final quality check is done on the quality control centre.

These volumetric pipettes come in Class AS with conformity batch certificate which is printed in amber colour which fuses into the glass. Each pipette is accompanied with a batch certificate in the pack and you can also download the certificate from the website: www.glasscolabs.com and by scanning the QR Code from the label of the box.

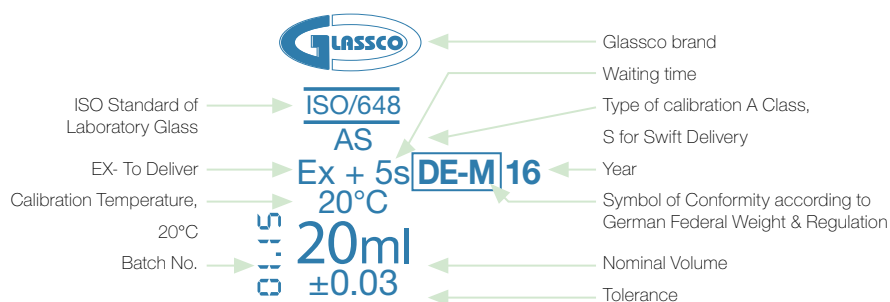
Volumetric Pipettes, 1 mark, Class AS

- With batch certificate
- Compliance with DIN ISO 648 standard
- Comes in amber colour enamel printing

Item Code	Capacity (ml)	Tolerance (\pm ml)	Colour Code	Pack of
123.202.01	1	0.008	BLUE	5
123.202.02	2	0.010	ORANGE	5
123.202.03	5	0.015	WHITE	5
123.202.04	10	0.020	RED	5
123.202.05	20	0.030	YELLOW	5
123.202.06	25	0.030	BLUE	5
123.202.07	50	0.050	RED	5
123.202.08	100	0.080	YELLOW	5



Below is the overview of the one mark pipette explaining in detail the content printed on it.

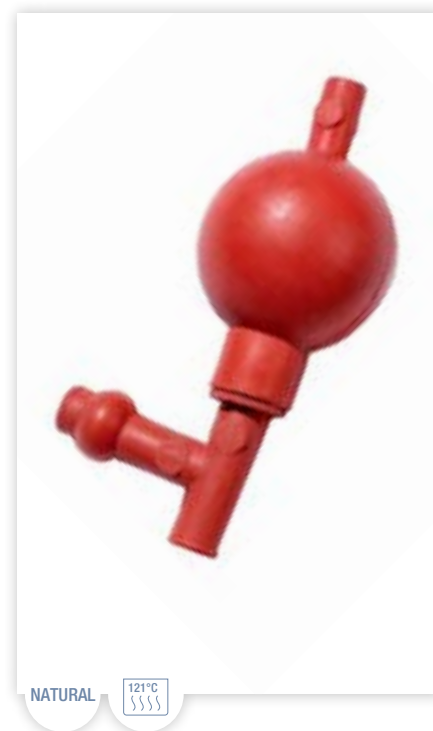


Pipettes

Pipette Filler

- 50 ml, with a release valve to allow adjustment of liquid
- Made of natural rubber

Item Code	Description	Pack of
415.303.01	Red, natural rubber	4



Tubes

Tubes Culture Round Bottom

- Made from ASTM E438 Type 1 Class A, BORO 3.3 glass
- PP screw cap and teflon liner
- Leakproof

Item Code	O.D. x Length (mm)	Bottom Type	Pack of
082.204.01	12 x 100	Round	100
082.204.02	16 x 100	Round	100
082.204.03	16 x 125	Round	100
082.204.04	16 x 160	Round	100
082.204.05	18 x 180	Round	100
082.204.06	20 x 100	Round	100
082.204.07	20 x 200	Round	100
082.204.08	22 x 200	Round	100
082.202.05	25 x 100	Round	100
082.202.07	25 x 200	Round	50



Test Tubes, Re-usable,

- Made from ASTM E438 Type 1 Class A, BORO 3.3 glass
- Without rim EN ISO 4142
- Uniform wall thickness
- Excellent heat transfer

Item Code	Capacity (ml)	O.D. x Height (mm)	Thick ness (mm)	Pack of
097.202.01	3	10 x 75	1.0	100
097.202.02	5	12 x 75	1.0	100
097.202.03	6	12 x 100	1.0	100
097.202.04	13	15 x 125	1.2	100
097.203.05	15	15 x 150	1.2	100
097.202.05	27	18 x 150	1.2	100
097.203.06	45	20 x 150	1.2	100
097.202.06	55	25 x 150	1.2	100
097.202.07	60	25 x 200	1.2	100



Tubes

Test Tube Manufactured BORO 5.1 GLASS

- Complies with EN ISO 4142
- Without rim
- Uniform wall thickness
- Excellent heat transfer

Item Code	Capacity (ml)	O.D. x Height (mm)	Thickness (mm)	Pack of
099.202.01	3	10 x 75	1.0	100
099.203.02	5	12 x 75	1.0	100
099.202.02	7	12 x 100	1.0	100
099.202.03	13	15 x 125	1.0	100
099.202.04	15	15 x 150	1.0	100
099.202.05	27	18 x 150	1.0	100
099.203.06	45	20 x 150	1.0	100
099.202.06	55	25 x 150	1.0	100
099.203.07	70	25 x 200	1.0	100



Tubes

Test Tube Stand (3 TIER)

- Made of polypropylene
- Ingenious racks with 3-Tier design provides clear view of the tube contents
- Convenient inserting and removal of tubes
- Every part is coloured and opaque
- Autoclavable and withstand sub-freezing temperatures

Item Code	Size/Capacity	Pack of
163.303.01	13 mm / 31 Tubes	2
163.303.02	16 mm / 31 Tubes	2
163.303.03	20 mm / 20 Tubes	2
163.303.04	25 mm / 12 Tubes	2
163.303.05	25 mm / 18 Tubes	2
163.303.06	32 mm / 12 Tubes	2
163.303.08	13 mm / 18 Tubes	4
163.303.09	15 mm / 18 Tubes	4
163.303.10	18 mm / 12 Tubes	4
163.303.14	13 mm / 48 Tubes	2

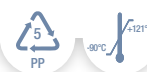


Tubes

Centrifuge Tube Box

- Made of polypropylene
- These boxes provide substitute for conventional cardboard or foam rack
- Autoclavable and can withstand temperature ranging from -90°C to +120°C

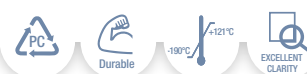
Item Code	Capacity (ml)	Pack of
165.305.05	50	4



MCT Box

- Moulded in polycarbonate and is therefore strong as well as autoclavable
- Can hold 100 MCT's of 0.5 ml
- Designed for temperatures ranging from -190°C to +121°C
- Transparent cover that provides a good view of the contents inside
- Numbers on the cover for better inventory control

Item Code	Capacity	Pack of
134.303.01	Rack for 100 MCT's of 0.5 ml	4





DRIFTON
THE SCIENCE OF DISPENSING

info@drifton.dk
+45 3679 0000

www.drifton.dk
www.drifton.eu
www.de.drifton.eu
www.drifton.es